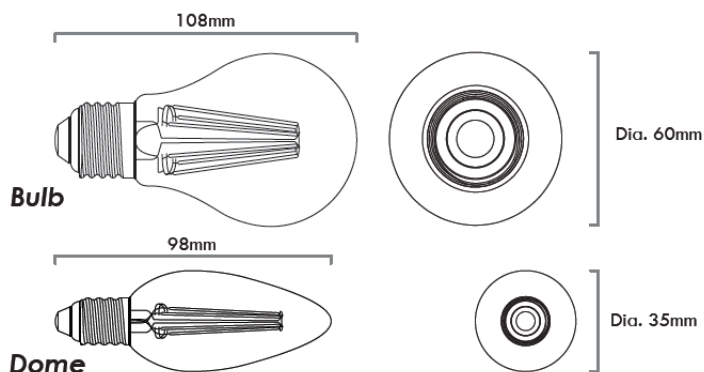


LED FILAMENT BULBS



- Low power consumption and saving up 90% of power
- User friendly and easy to maintain
- No mercury, UV or IR radiation, harmless to human body
- Energy-efficient lighting equipment
- Equivalent to traditional 20W and 50W incandescent Light bulbs accordingly

Specification

Filament Bulb

Product Description	Color Temp	Color Rendering Index	Module Power	Lumen Output	Efficacy	Base	Radiance Angle	Life Span
LM-FBS02-ANEC LED FILA.BULB 1.5W	2700K	>93	1.5W	150lm	100lm/W	E27	360°	25,000hrs
LM-FBS04-ANEC LED FILA.BULB 3.5W	2700K	>93	3.5W	350lm	100lm/W	E27	360°	25,000hrs

Filament Candle

LM-FCS02-ANAC LED FILA.CANDLE 1.5W	2700K	>93	1.5W	150lm	100lm/W	E14	360°	25,000hrs
LM-FCS04-ANAC LED FILA.CANDLE 3.5W	2700K	>93	3.5W	350lm	100lm/W	E14	360°	25,000hrs

- | | | | |
|--|---------------|---|-----------------|
| <input checked="" type="checkbox"/> Input Voltage | : 220-240VAC | <input checked="" type="checkbox"/> Dimmable | : No |
| <input checked="" type="checkbox"/> Operating Temperature | : - 20° ~ 50° | <input checked="" type="checkbox"/> Housing | : Glass |
| <input checked="" type="checkbox"/> Ambient Temperature for optimize Performance | : 25°C | <input checked="" type="checkbox"/> Use | : Indoor only |
| <input checked="" type="checkbox"/> Base | : E27 / E14 | <input checked="" type="checkbox"/> Certification | : CE, CB & RoHS |

*The information presented in this document does not form part of any quotation or contract, is believed to be accurate and reliable and may be changed without notice.

*The actual luminous flux may have -10% tolerance compare with the rated value, which still under the limitation of IEC standard.

Version: General

Oct 2014